

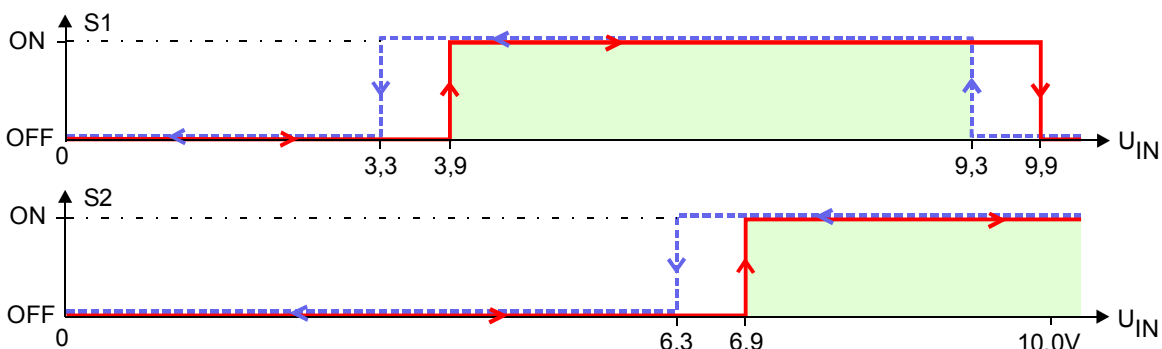
Fig.1 The MS121 module.

APPLICATION

The relay module used to work with controllers as an executive element to activate peripheral equipment requiring greater power, through the analog output of the controller. Among other things, can control a single-stage burner and boiler pump, enclosing only the pump, burner with the pump and burner only.

DESCRIPTION

The MS121 is functional equivalent of the USS121 and the USS121P. It converts the analog input signal (0 - 10V) from the controller to four discrete, voltageless output states. Relays have SPDT contacts. Built-in hysteresis circuit prevents contacts from "flickering" in switching points. LED diodes indicate output states according to enclosed diagram.



U_{IN} [V] increasing	U_{IN} [V] decreasing	S1	S2
0	0	○	○
3,9	3,3	●	○
6,9	6,3	●	●
9,9	9,3	○	●

■ - steady activation range

○ - opened contacts

● - closed contacts

adjust accuracy $\pm 0,5\%$

Rys.2 Diagram przełączeń.

REMARK: The width of the hysteresis and the switching thresholds can be set according to individual specifications.

MS121

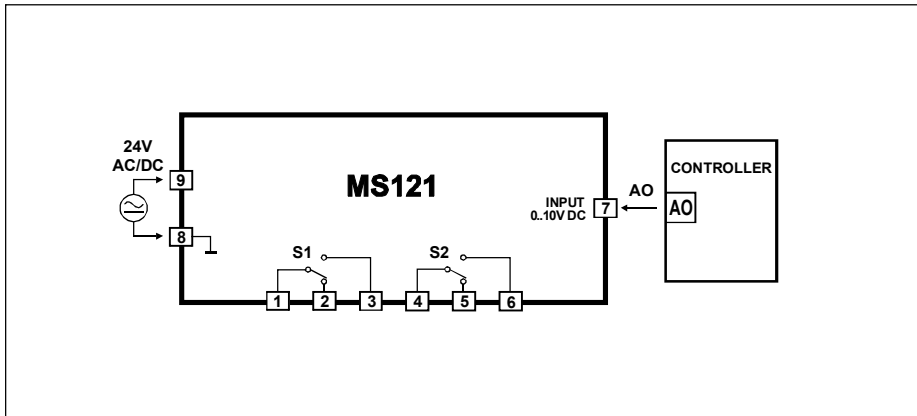


Fig.3 Connections of the MS121.

TECHNICAL DATA

Power supply	24 V AC/DC \pm 10%
Max. current consumption	46 mA for 24 V AC 32 mA for 24 V DC
Input resistance	100k Ω
Contact switching capacity alternating current $\cos\phi=1$ direct current	380V, 8A [2000VA] 32V, 8A
Mechanical endurance of contacts	2×10^7 operations
Protection class of the case	IP-40
Compliance with EU standards	2004/108/EC
Ambient temperature range	-10...+55°C
Diameter of terminals	2,5 mm ²
Protections	against reverse polarisation
Mounting	DIN-35 rail
Dimensions (L x W x H)	90mm x 17,5mm x 56mm
Weight	60 g

October 2016