

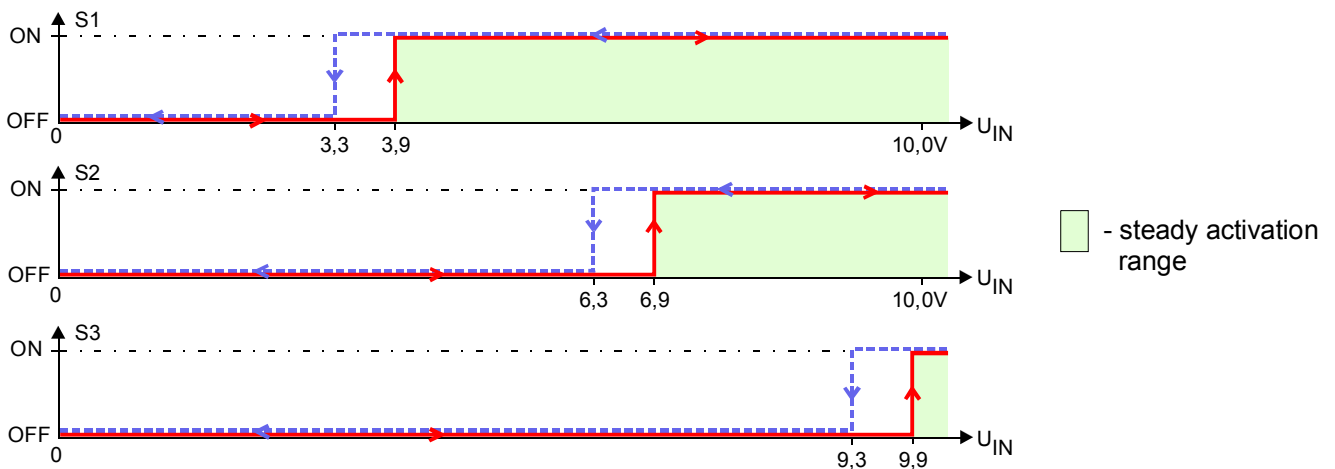
Fig.1 The MS123 module.

APPLICATION

The relay module used to work with controllers as an executive element to activate peripheral equipment requiring greater power, through the analog output of the controller. Among other things, can control three-stage burner, set the heater, a system of three pumps, etc.

DESCRIPTION

The MS123 is functional equivalent of the USS123 and the USS123P. It converts the analog input signal (0 - 10V) from the controller to four discrete, voltageless output states. Relays have SPDT contacts. Built-in hysteresis circuit prevents contacts from "flickering" in switching points. LED diodes indicate output states according to enclosed diagram.



U_{IN} [V] increasing	U_{IN} [V] decreasing	S1	S2	S3
0	0	○	○	○
3,9	3,3	●	○	○
6,9	6,3	●	●	○
9,9	9,3	●	●	●

○ - opened contacts
● - closed contacts
adjust accuracy $\pm 0,5\%$

Fig.2 Switching diagram.

REMARK: The width of the hysteresis and the switching thresholds can be set according to individual specifications.

MS123

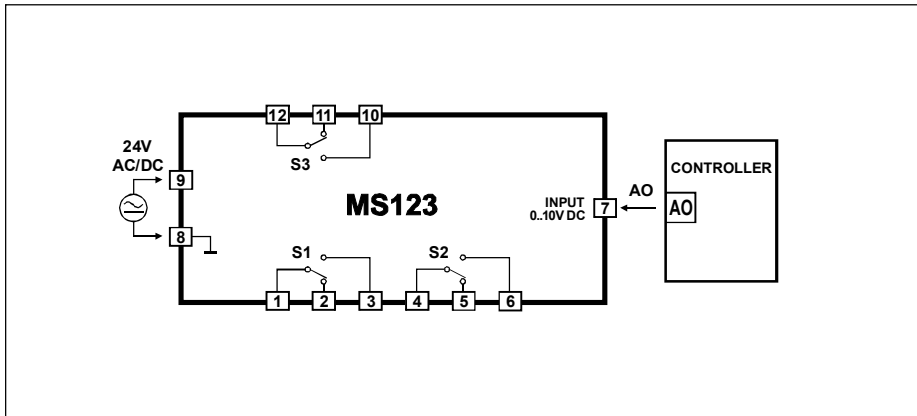


Fig.3 Connections of the MS123.

TECHNICAL DATA

Power supply	24 V AC/DC \pm 10%
Max. current consumption	63 mA for 24 V AC 43 mA for 24 V DC
Input resistance	100k Ω
Contact switching capacity alternating current $\cos\phi=1$ direct current	380V, 8A [2000VA] 32V, 8A
Mechanical endurance of contacts	2×10^7 operations
Protection class of the case	IP-40
Compliance with EU standards	2004/108/EC
Ambient temperature range	-10...+55°C
Diameter of terminals	2,5 mm ²
Protections	against reverse polarisation
Mounting	DIN-35 rail
Dimensions (L x W x H)	90mm x 17,5mm x 56mm
Weight	72 g

October 2016