

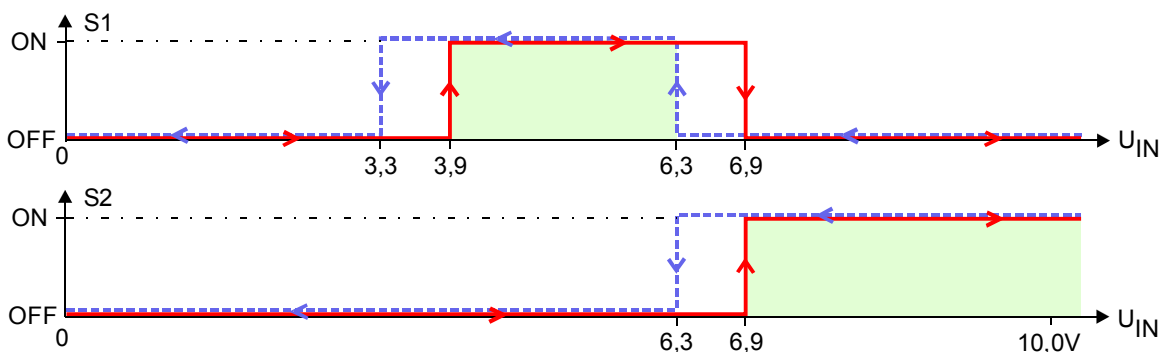
Fig.1 The MS2 module.

### APPLICATION

The relay module used to work with controllers as an executive element to activate peripheral equipment requiring greater power, through the analog output of the controller.

### DESCRIPTION

The MS2 is two relay module that converts the analog input signal (0 - 10V) from the controller to four discrete, voltageless output states. Relays have SPDT contacts. Built-in hysteresis circuit prevents contacts from "flickering" in switching points. LED diodes indicate output states according to enclosed diagram.



$U_{IN}$ [V] increasing	$U_{IN}$ [V] decreasing	S1	S2
0	0	○	○
3,9	3,3	●	○
6,9	6,3	○	●

■ - steady activation range

○ - opened contacts

● - closed contacts

adjust accuracy  $\pm 0,5\%$

Fig.2 Switching diagram.

**REMARK:** The width of the hysteresis and the switching thresholds can be set according to individual specifications.

# MS2

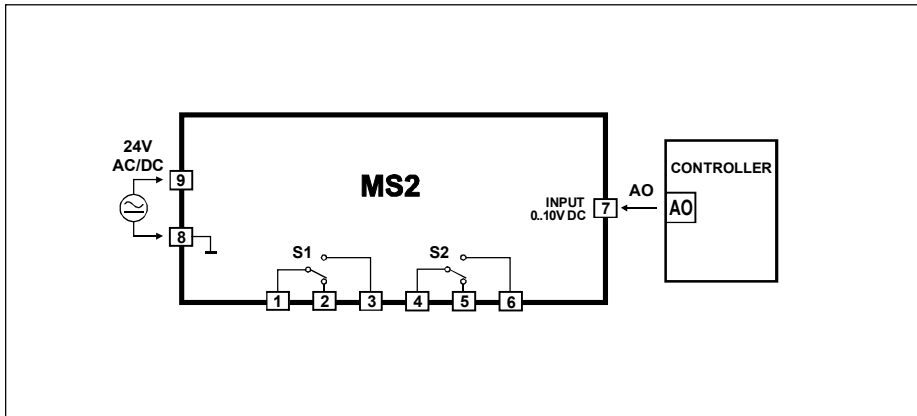


Fig.3 Connections of the MS2.

## TECHNICAL DATA

Power supply	24 V AC/DC $\pm$ 10%
Max. current consumption	46 mA for 24 V AC 32 mA for 24 V DC
Input resistance	100k $\Omega$
Contact switching capacity alternating current $\cos\phi=1$ direct current	380V, 8A [2000VA] 32V, 8A
Mechanical endurance of contacts	$2 \times 10^7$ operations
Protection class of the case	IP-40
Compliance with EU standards	2004/108/EC
Ambient temperature range	-10...+55°C
Diameter of terminals	2,5 mm <sup>2</sup>
Protections	against reverse polarisation
Mounting	DIN-35 rail
Dimensions (L x W x H)	90mm x 17,5mm x 56mm
Weight	60 g

November 2016